



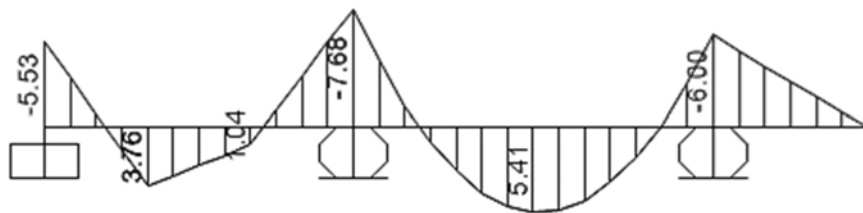
Question (1) : a – 1



N.F.D



S.F.D



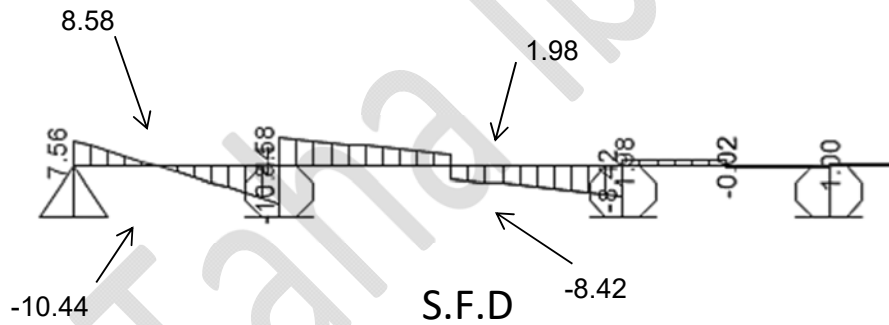
B.M.D



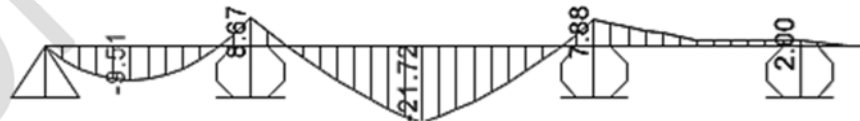
2-



N.F.D



S.F.D



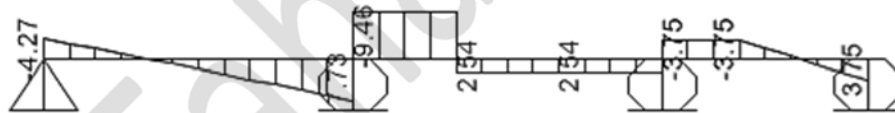
B.M.D



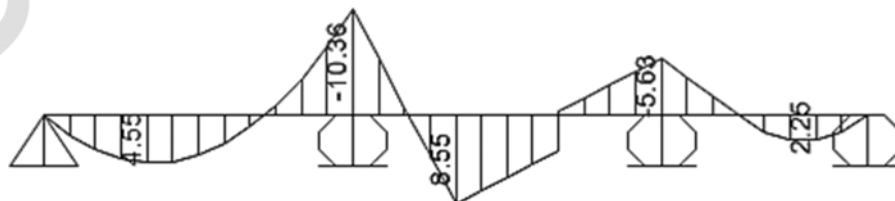
3-



N.F.D



S.F.D



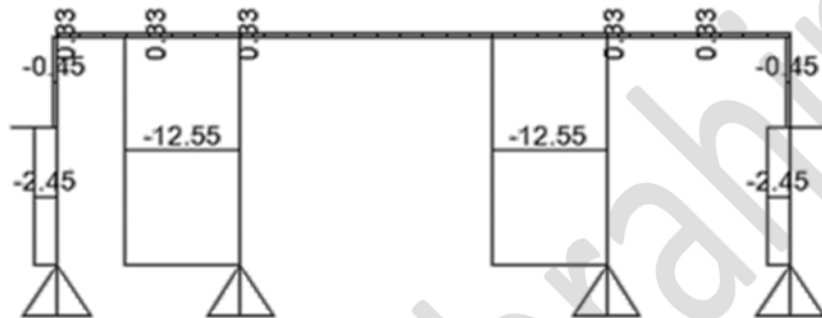
B.M.D



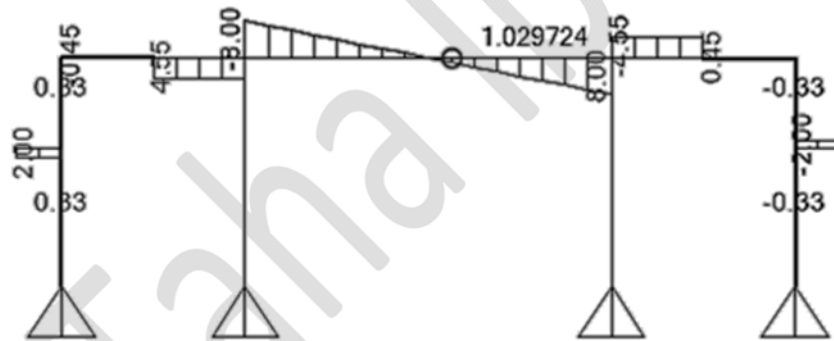
Total Mark: 70 Marks

Model Answer

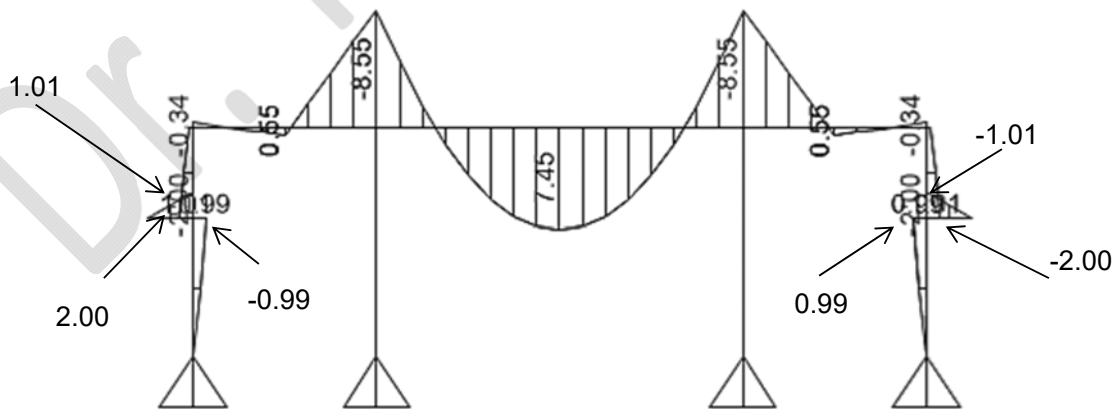
Question (1) : b-



N.F.D



S.F.D



B.M.D



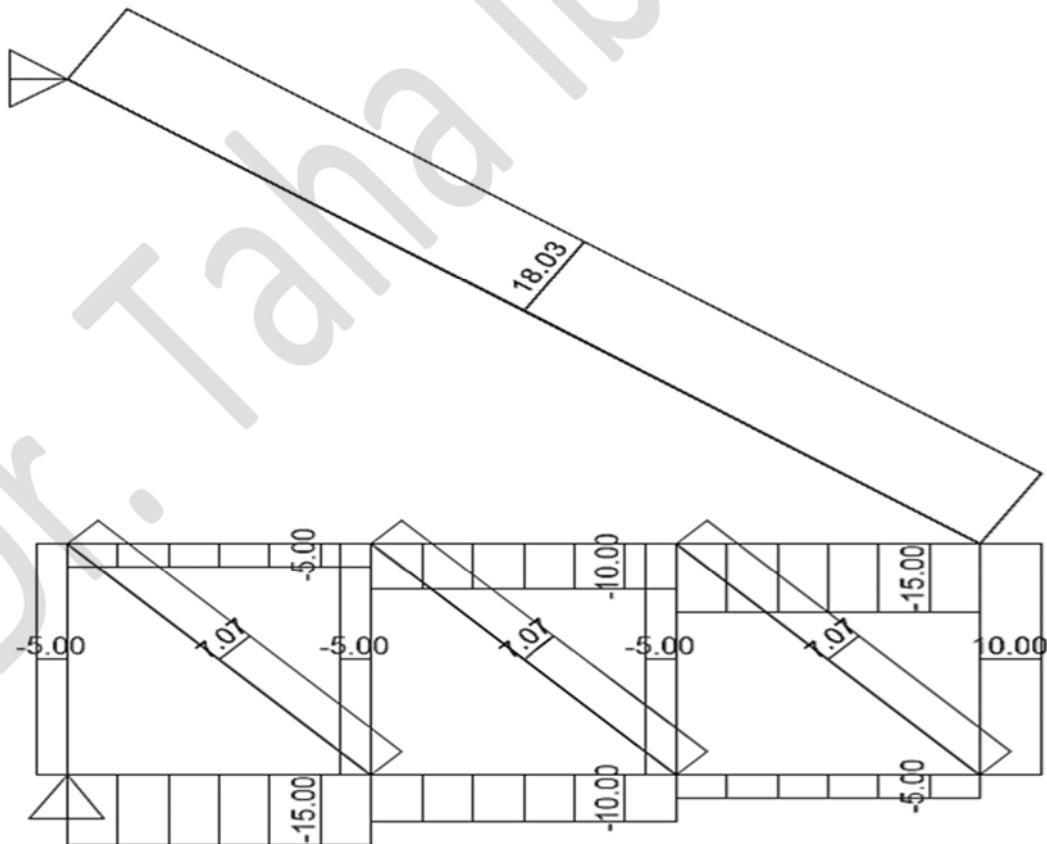
Total Mark: 70 Marks

Model Answer



Reactions

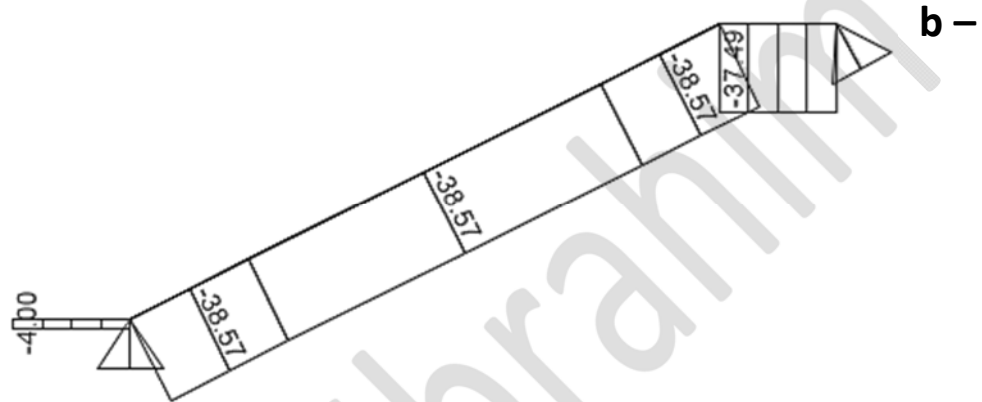
Question (2) : a –



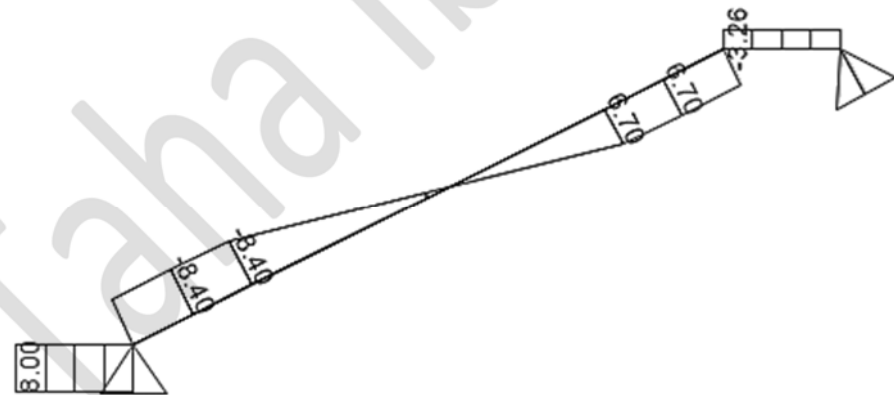
Forces



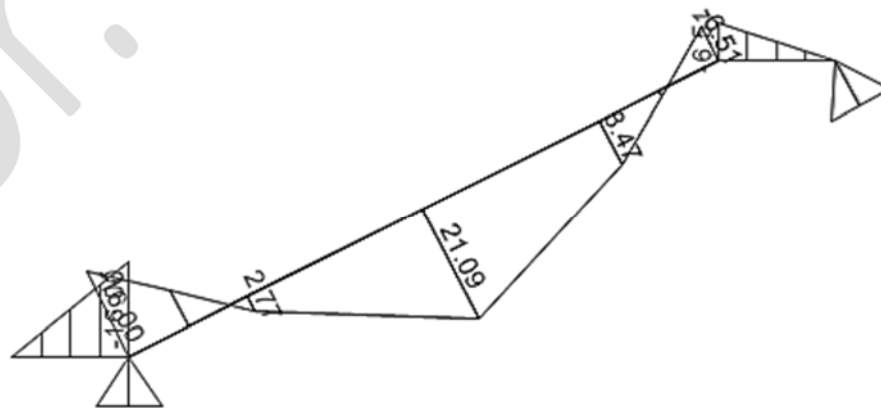
Question (2) :



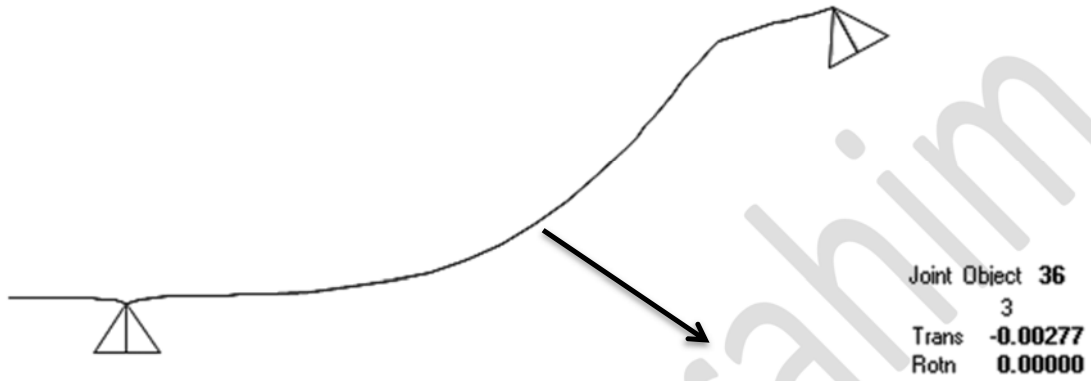
N.F.D



S.F.D

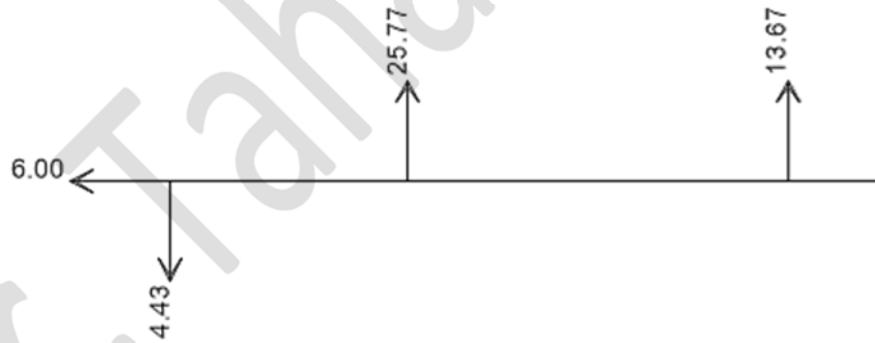


B.M.D



Deflection at (E)

Question (2): c –



Reactions



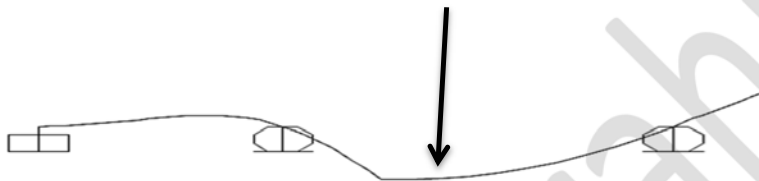
B.M.D



Total Mark: 70 Marks

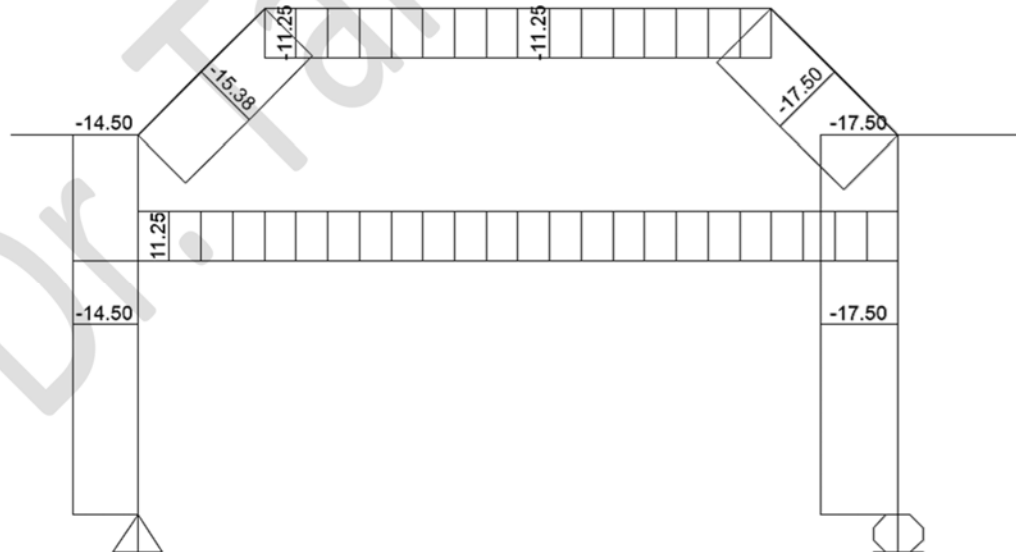
Model Answer

Joint Object 6
3
Trans 0.00334
Rotn 0.00000



Deflection at (D)

Question (3):

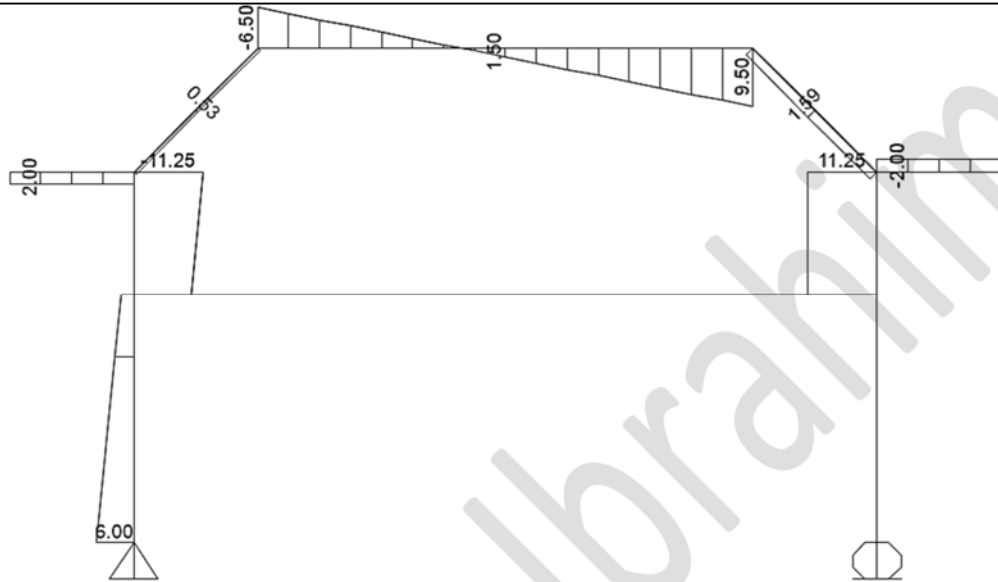


N.F.D

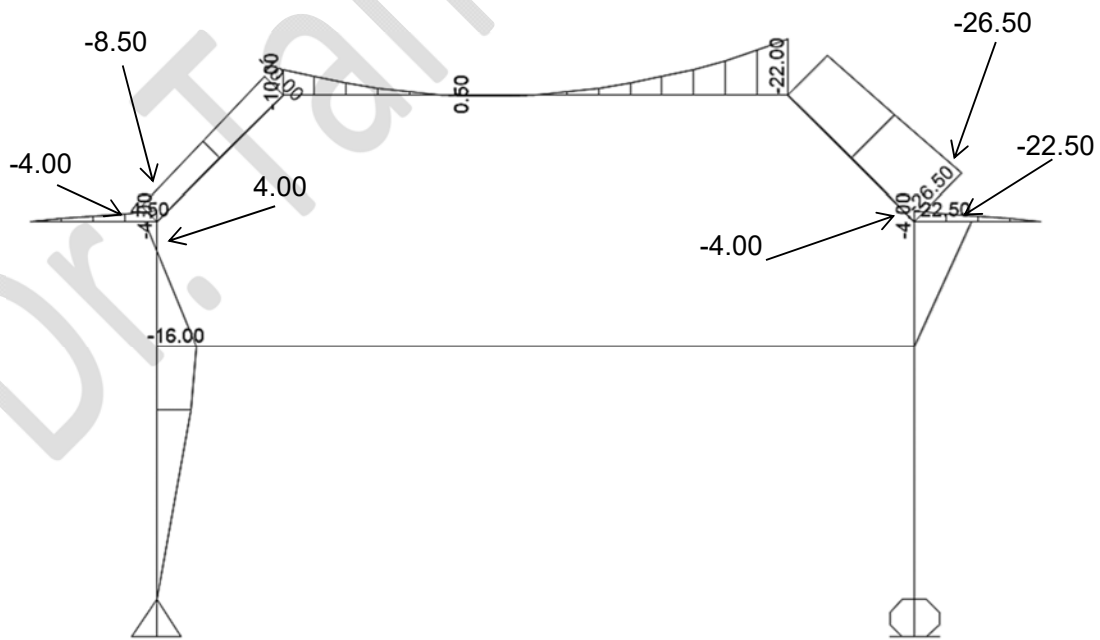


Total Mark: 70 Marks

Model Answer



S.F.D

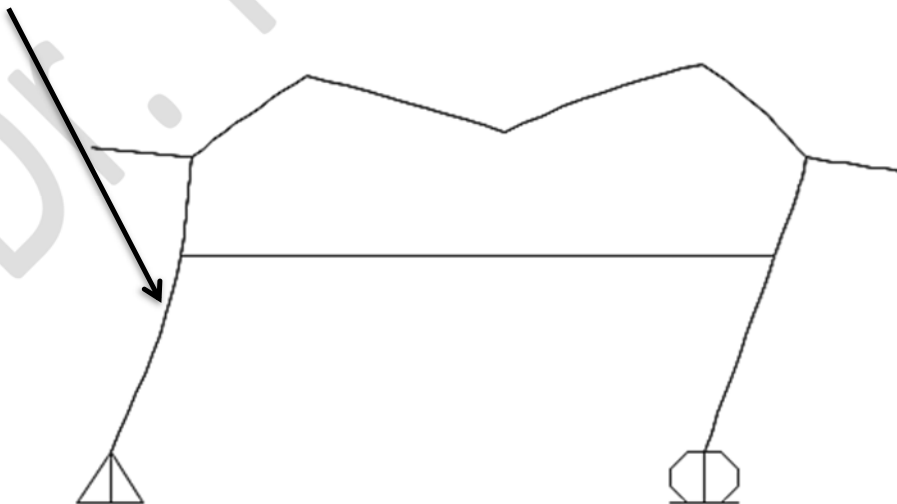


B.M.D



Reactions

Joint Object 8
1
Trans 0.03289
Rotn 0.00000



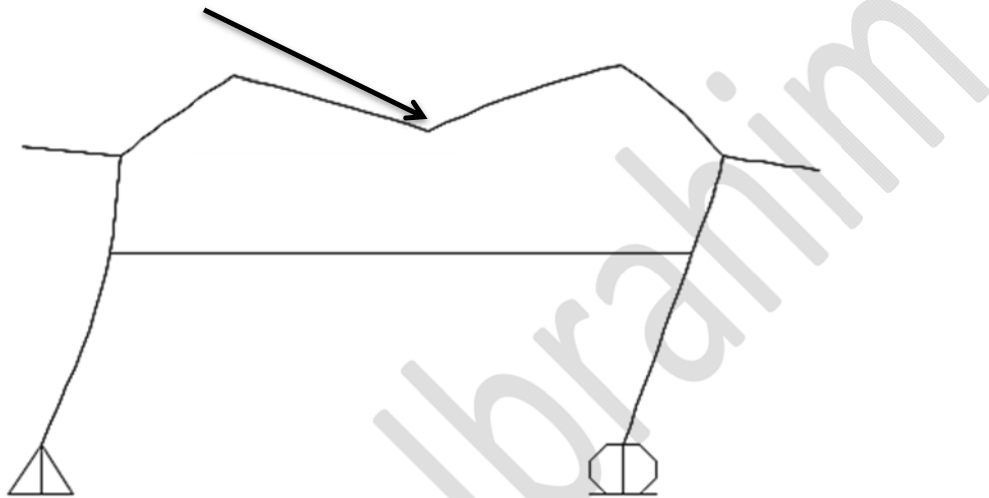
Deflection (1)



Total Mark: 70 Marks

Model Answer

Joint Object 14
 3
 Trans -0.02981
 Rotn 0.00000



Deflection (2)

Question (4):

